

<b>Project</b>		<b>Catalog #</b>		<b>Type</b>	
<b>Prepared by</b>		<b>Notes</b>		<b>Date</b>	



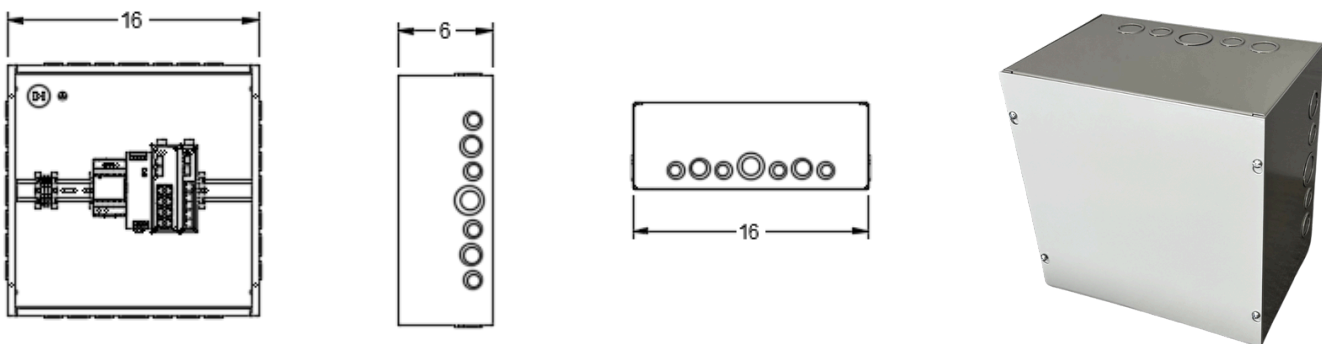
## 0-10V AV Serial COM Gateway

P/N: PNL-GTWY-010V-AVSER-120V-NEMA1

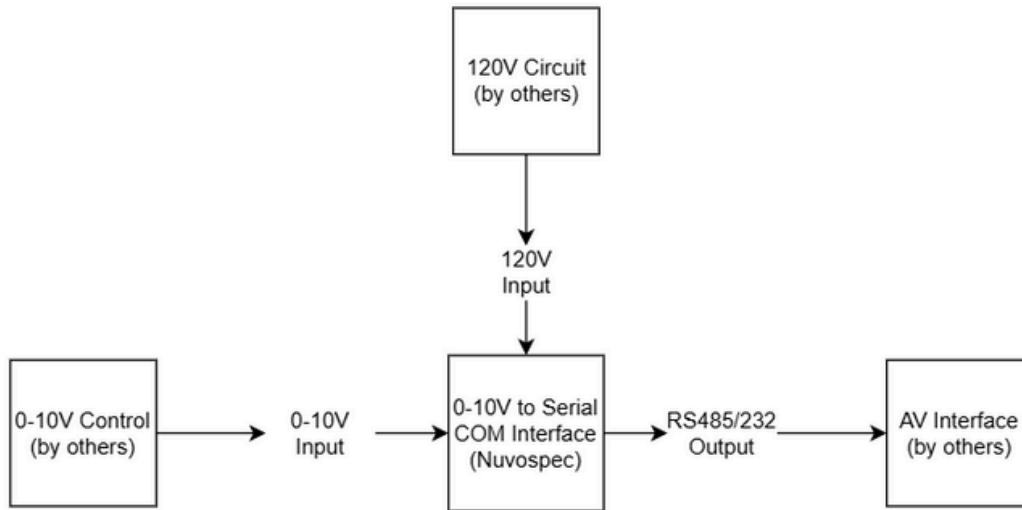
### Product Features

- Universal Integration converts any 0-10V control signal into Serial Port commands.
- Up to 10 configurable commands can be triggered.
- Ships pre-programmed for immediate operation.
- Line-Voltage powered by 120VAC power hardwired to internal terminal blocks.
- Pre-assembled in a contractor-friendly housing with pre-labeled terminal blocks for quick install.
- UL Listed.

### Dimensional Details



System Diagram



Wiring Instructions

- The interface requires a constant 120V power source. Do not put this device on a switch leg or on the output side of a dimmer.
- Connect the 120V supply to the three terminal blocks on the left side of the enclosure. The terminal blocks are labeled to indicate the connection points for the line, neutral, and ground connections.
- The terminal block on the right side of the enclosure is provided for I/O connections to the 0-10V control source and the SOMFY RTS interface. Make connections as follows:
  - Terminal 5: 0-10V + signal from control source provided by others
  - Terminal 6: 0-10V - signal from control source provided by others
  - Terminal 7: RS485 Data + signal to AV interface
  - Terminal 8: RS485 Data - signal to AV interface
  - Terminal 9: RS485 Shield/Ground to AV interface
  - Terminals 1-4: Internal use only, no external connections

